

Model No.: SDS-P830656

Rev: 1

Product Line: Peerless

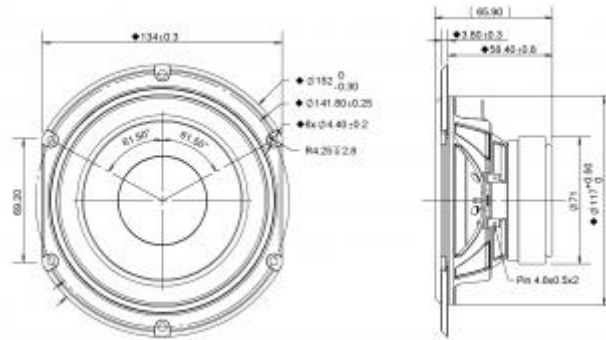
Last Update: 2017-03-03 02:00:02

Product Description

The SDS compact subwoofer family offers low resonant frequency performance, ideally suited for compact sealed enclosures. This 5.25 inch 8 ohm member of the SDS family offer a coated paper cone with rubber surround, a high power voice coil suspended in a ferrite magnet motor, and a narrow-profile steel basket, shaped to fit into narrow cabinets.



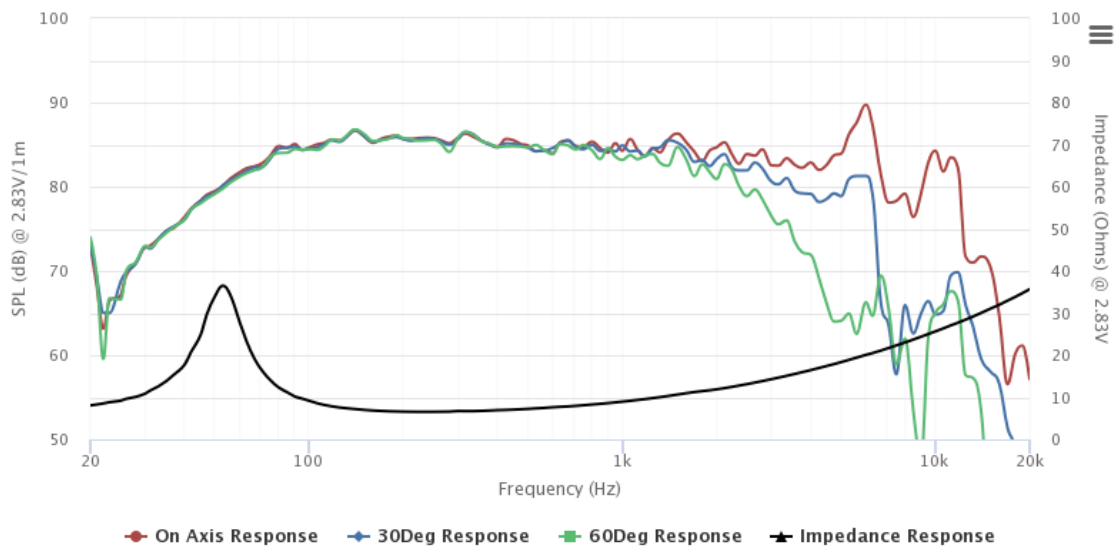
Mechanical Drawing



Specifications

| | | | | | | | |
|-------------------------------|-------------|--------|-------|-----------|----------------------------|------|--------------------------|
| DC Resistance | Revc | Ohms | 6.06 | 5.0% | Energy Bandwidth Product | EBP | (1/Qes)*fs |
| Minimum Impedance | Zmin | Ohms | 6.54 | 7.5% | Moving Mass | Mms | g |
| Voice Coil Inductance | Le | mH | 0.37 | | Suspension Compliance | Cms | um/N |
| Resonant Frequency | Fs | Hz | 57.23 | 15% | Effective Cone diameter | D | cm |
| Mechanical Q Factor | Qms | | 3.6 | | Effective Piston Area | Sd | cm ² |
| Electrical Q Factor | Qes | 0.7 | | | Effective Volume | Vas | L |
| Total Q Factor | Qts | | 0.59 | | Motor Force Factor | BL | Tm |
| Ratio Fs/Qts | F | Fs/Qts | 97.33 | | Motor Efficiency Factor | β | (T*M ²)/Ohms |
| Half Space Sensitivity @2.83V | db@2.83V/1M | dB | 85.7 | +/- 1.0db | Voice coil former Material | VCfm | ASV |
| Half Space Sensitivity @1W/1M | db@1W/1M | dB | 84.8 | +/- 1.0db | Voice coil inner diameter | VCd | mm |
| Gap Height | Gh | mm | 6 | | Rated Noise Power | P | W |
| Maximum Linear Excursion | Xmax | mm | 3.5 | | Test Spectrum Bandwidth | | 50Hz - 5kHz |
| Ferrofluid Type | FF | | | | Driver Size | Inch | 5.25 in |
| Driver Mass | Kg | 0.68 | | | | | |

Frequency and Impedance Response



Highcharts.com