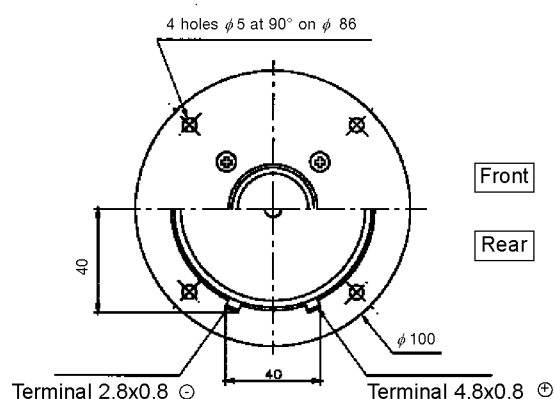
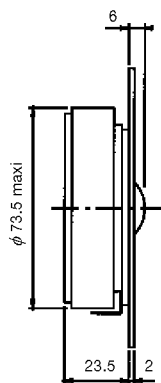
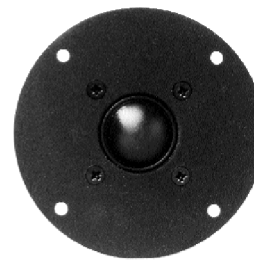
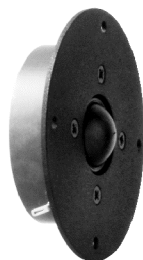


TWEETER

TW025A0 D08TTP0010
120971T

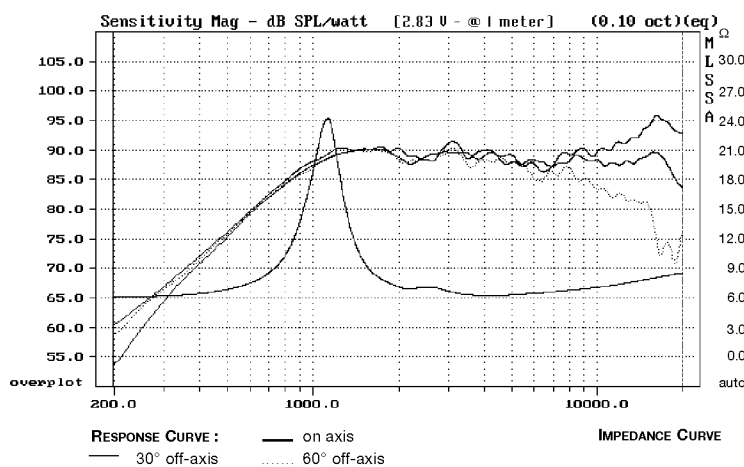
1" - Soft dome - 25 mm



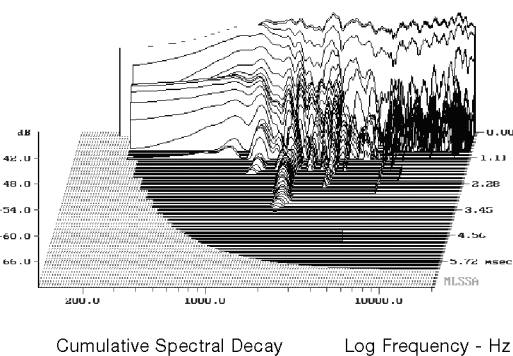
All dimensions in mm

- Catenary profile
- Extended frequency response
- Replaceable voice coil assembly
- 1" impregnated textile dome
- Solid aluminium face plate
- Good efficiency - 90 dB / W / m

Response Curve



Waterfall



SPECIFICATIONS

Technical characteristics	Symbol	Value	Units
PRIMARY APPLICATION			
Nominal Impedance	Z	8	Ω
Resonance Frequency	Fs	1090,5	Hz
Nominal Power Handling	P	55	W
Sensitivity (2,83 V - 1m)	E	90	dB
VOICE COIL			
Voice Coil Diameter	φ	25	mm
Minimum Impedance	Zmin	6,2	Ω
DC Resistance	Dcr	5,8	Ω
Voice Coil Inductance	Lbm	0,03	mH
Voice Coil Length	h	1,7	mm
Former	-	Aluminium	-
Number of Layers	n	2	-
Wire type	-	round	-
Wire material	-	copper	-

MAGNET

Magnet Dimensions	φ x h	72 x 15	mm
Magnet Weight	m	245	g
Flux Density	B	1	T
Force Factor	BL	-	NA ⁻¹
Height of Magnetic Gap	He	3	mm
Stray Flux	Fmag	-	Am ⁻¹
Linear Excursion	Xmax	±0,65	mm

PARAMETERS

Suspension Compliance	Cms	-	μm/N
Mechanical Q Factor	Qms	4,21	-
Electrical Q Factor	Qes	1,3	-
Total Q Factor	Qts	1	-
Mechanical Resistance	Rms	-	kg s ⁻¹
Moving Mass	Mms	-	g
Effective Piston Area	S	4,91	cm ²
Volume Equivalent of Air at Cas	Vas	-	liters
Mass of Speaker	M	0,46	kg

Suggested Applications

Crossover Frequency	Slope	Inductance	Capacitor	Power Handling
Hz	dB / Oct.	mH	μF	W
2600	12	0,5	7,5	55
5460	6	-	4,7	100