

## SLS 8" Subwoofer



Type Number: 830667

### Features:

The SLS line combines high quality performance with an affordable design. These transducers are ideal for use in systems with high power handling requirements, and are logically combined with the SDS line.

See architecture notes for [SLS Platform](#)

Driver Highlights: Coated paper cone, 39 mm voice coil, AL shorting ring in magnet system.

[Go to Application Notes.](#)

[Go to Architecture Notes](#)



### Specs:

#### Electrical Data

Nominal impedance	Zn	8	ohm
Minimum impedance	Zmin	5.9	ohm
Maximum impedance	Zo	71.3	ohm
DC resistance	Re	5.4	ohm
Voice coil inductance	Le	2.1	mH
Capacitor in series with x ohm	Cc	--	uF

#### T-S Parameters

Resonance Frequency	fs	36.5	Hz
Mechanical Q factor	Qms	7.8	
Electrical Q factor	Qes	0.59	
Total Q factor	Qts	0.54	
Force factor	Bl	8.3	Tm
Mechanical resistance	Rms	1.06	Kg/s
Moving mass	Mms	33	g
Suspension compliance	Cms	0.57	mm/N
Effective cone diameter	D	16.1	cm
Effective piston area	Sd	204	cm <sup>2</sup>
Equivalent volume	Vas	33.1	ltrs
Sensitivity (2.83V/1m)		87.2	dB
Ratio BL/√(Re)		3.6	
Ratio fs/Qts	F	67	

#### Power handling

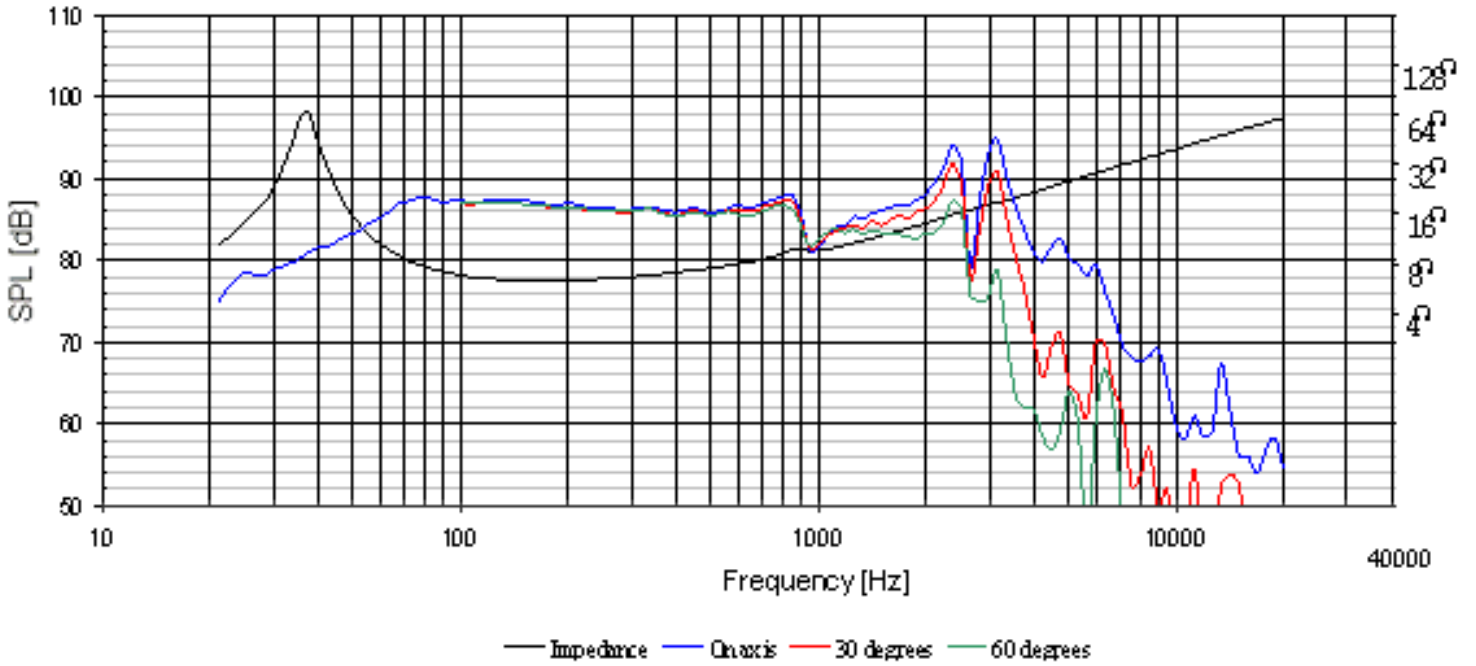
100h RMS noise test (IEC)	--	W
Long-term Max Power (IEC 18.3)	220	W
Max linear SPL (rms) @ power	--	dB/W
Short Term Max power (IEC 18.2)	--	W

#### Voice Coil and Magnet Parameters

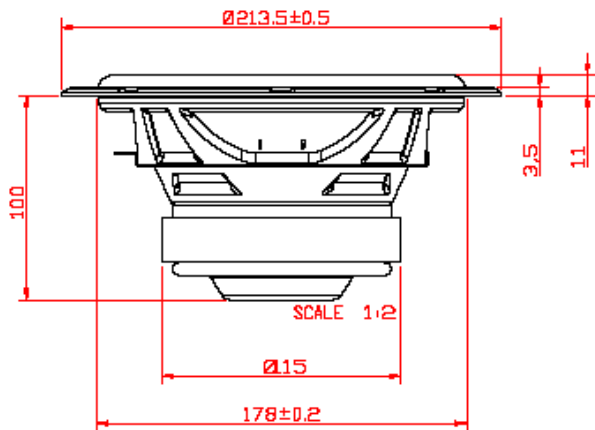
Voice coil diameter	39	mm
Voice coil height	25	mm
Voice coil layers	2	
Height of the gap	8	mm
Linear excursion +/-	8.5	mm
Max mech. excursion +/-	--	mm
Flux density of gap	--	mWb
Total useful flux	1.4	mWb
Diameter of magnet	115	mm
Height of magnet	22	mm
Weight of magnet	0.87	Kg

Notes:  
IEC specs refer to IEC 60268-5 third edition.  
All Tymphany products are RoHS compliant.

Frequency: 830667



Mechanical Dimensions:830667



**Drawing Dimensions**

- Outside Diameter
- Flange Thickness
- Magnet Diameter
- Cutout Diameter
- Interior Depth
- Hole Diameter
- Screw Circle Diameter

