

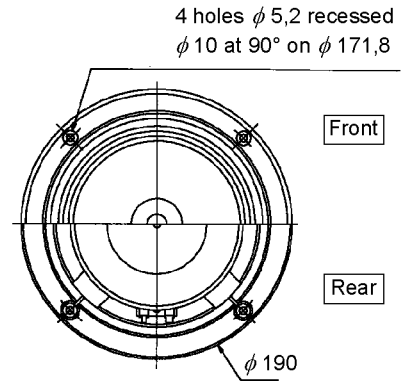
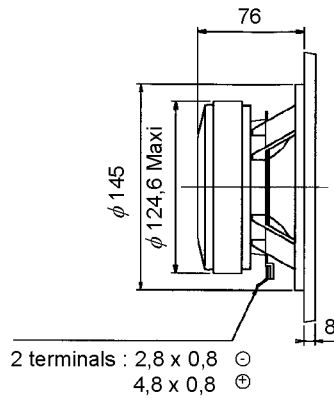
MIDRANGE

PR170Z0 101788Y

PROFESSIONAL DRIVER
5 1/2" - HDA Cone - 170 mm

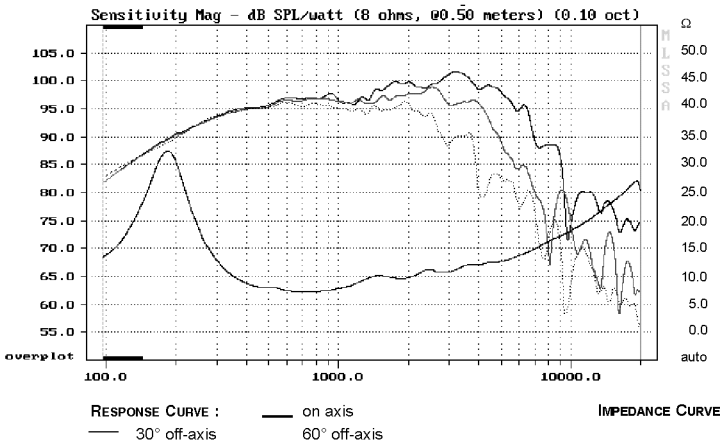


- HDA (High Definition Aerogel) cone
- Very high efficiency (99 dB)
- Rubber impregnated textile suspension
- Ultra stiff die cast chassis
- Kapton voice coil former
- Flat CCAW voice coil
- Gold plated terminals
- Black zinc passivated top / bottom plate for high heat dissipation

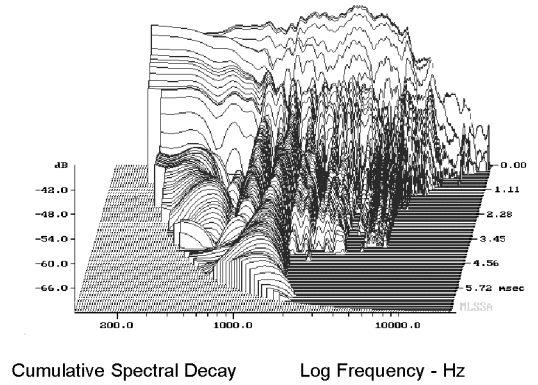


All dimensions in mm

Response Curve



Waterfall



SPECIFICATIONS

Technical characteristics	Symbol	Value	Units
PRIMARY APPLICATION			
Nominal Impedance	Z	8	Ω
Resonance Frequency	Fs	185	Hz
Nominal Power Handling	P	100	W
Sensitivity	E	99	dB
VOICE COIL			
Voice Coil Diameter	ϕ	40	mm
Minimum Impedance	Zmin	6,8	Ω
DC Resistance	Re	6,2	Ω
Voice Coil Inductance	Lbm	0,73	mH
Voice Coil Length	h	7	mm
Former	-	Kapton	-
Number of Layers	n	1	-

MAGNET

Magnet Dimensions	ϕ x h	120 x 20	mm
Magnet Weight	m	0,88	kg
Flux Density	B	1,4	T
Force Factor	BL	10	NA ⁻¹
Height of Magnetic Gap	He	6	mm
Stray Flux	Fmag	-	Am ⁻¹
Linear Excursion	Xmax	\pm 0,5	mm

PARAMETERS

Suspension Compliance	Cms	0,9.10 ⁻³	mN ⁻¹
Mechanical Q Factor	Qms	2,19	-
Electrical Q Factor	Qes	0,49	-
Total Q Factor	Qts	0,40	-
Mechanical Resistance	Rms	2,60	kg s ⁻¹
Moving Mass	Mms	6,2.10 ⁻³	kg
Effective Piston Area	S	1,4.10 ⁻²	m ²
Volume Equivalent of Air at Cas	Vas	3,31.10 ⁻³	m ³
Mass os Speaker	M	2,5	kg

Suggested Applications

Crossover Frequency	Slope	Self Inductance	Resistance	Capacitor	Capacitor1	Power Handling
Fc	S	L	R	C	C1	P
Hz	dB/Oct.	mH	Ω	μ F	μ F	W
600	18	1,5	-	20	33	100